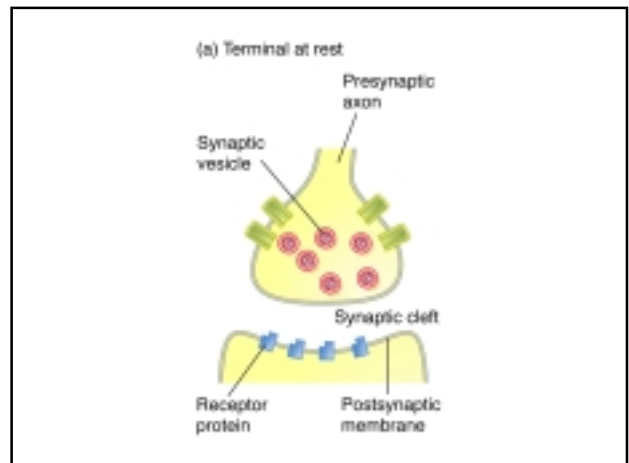
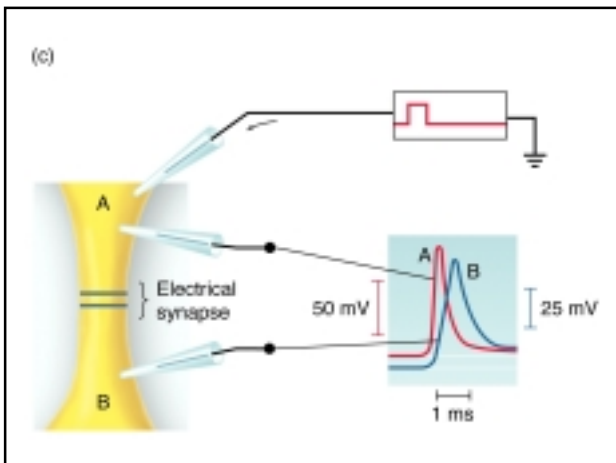
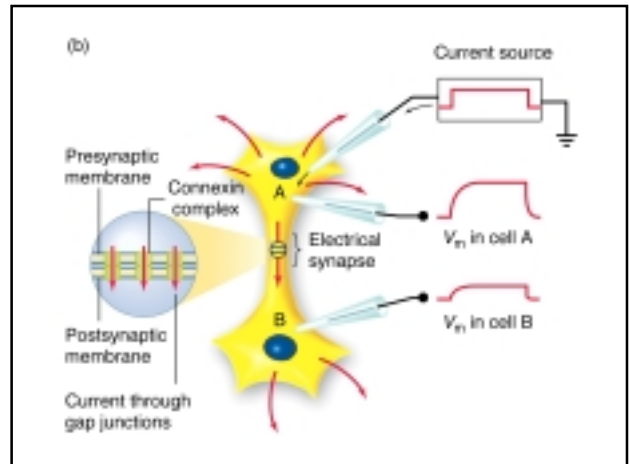
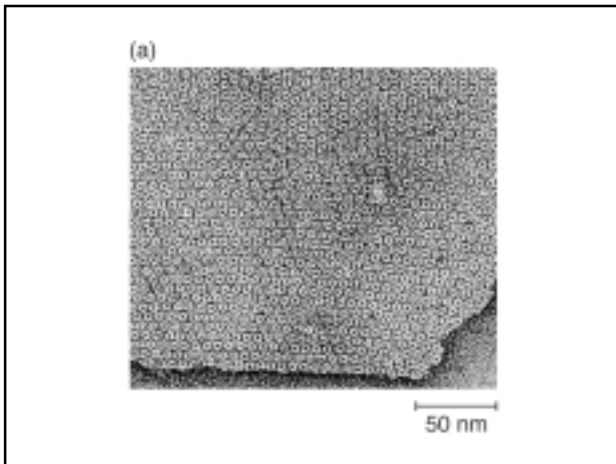


**Table 6-1 The diameter of frog axons and the presence or absence of myelination control the conduction velocity.**

Fiber type	Average axon diameter ( $\mu\text{m}$ )	Conduction velocity ( $\text{m}\cdot\text{s}^{-1}$ )
<b>Myelinated fibers</b>		
A $\alpha$	35.5	42
A $\beta$	14.0	25
A $\gamma$	11.0	17
E	Approximately 3.0	4.2
<b>Unmyelinated fibers</b>		
C	2.5	0.4–0.5

Source: Erlanger and Gasser, 1957.



(b) AP arrives; vesicles fuse with terminal membrane, producing exocytosis of transmitter.



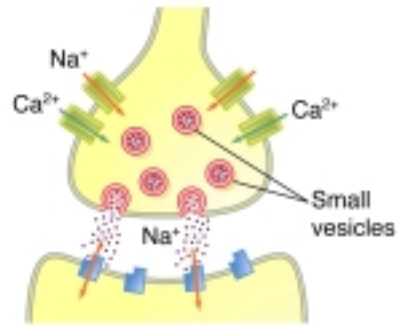
(c) Transmitter binds to postsynaptic receptor proteins; ion channels open.



(d) Transmitter is removed from cleft; fused membrane is recycled.



(a) Fast chemical transmission



(b) Slow chemical transmission

